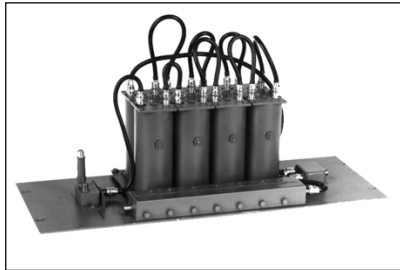


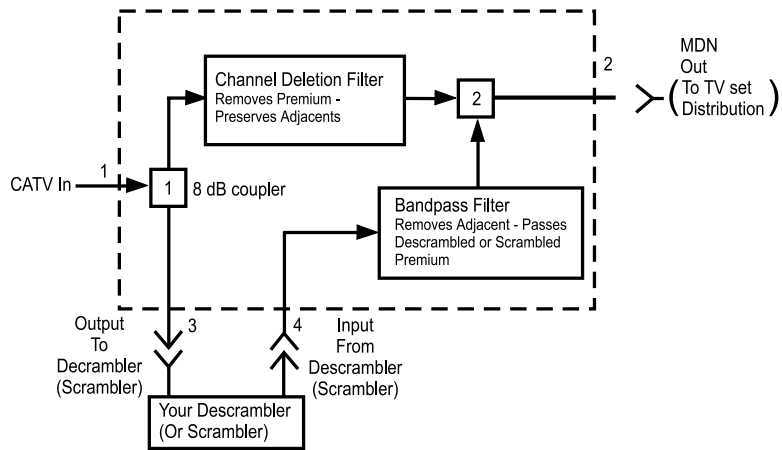
# Single TV Channel Reprocessing Network

## MDN



### MDN Series

The MDN network removes a selected channel from the incoming CATV feed so it can be reprocessed and added back on line. This is done at the entry to a multiple-dwelling unit (MDU), a motel, hotel, school, hospital or business. The reprocessing can consist of batch descrambling, scrambling, channel conversion or a combination of these. MDN networks incorporate a channel deletion filter (3271) corresponding to the channel to be reprocessed and a highly selective channel bandpass filter. These delete the old channel information and insure clean insertion of new information, respectively. All MDN units are delivered fully wired except for scramblers, descramblers and converters. Available for channels 2-116.



Channel #	(1-2) Insertion Loss (Typical)	Adj Carrier (1-2) Insertion Loss (Typical)	Inserted Channel (4-2) Insertion Loss (Typical)
2 to 6	12 dB	16 dB	10.5 dB
98, 99, 14 to 22	12 dB	15 dB	11.5 dB
7 to 13	12 dB	15 dB	13 dB
23 to 36	12 dB	16 dB	13 dB
37 to 61	12 dB	17 dB	13 dB
62 to 116	12 dB	18 dB	13 dB

See chart on pg 7 for upper passband limits

### Mechanical Specifications:

Baseplate Dimensions: 19" x 7"

Connectors: 75 ohm - Type "F"

### Ordering Information:

MDN-(Channel)

### Options (see page 14 for details):

S1 - 12 vdc off, MDN in line

S2 - 12 vdc off, MDN out of line

P - 15 Amp. AC/DC power bypass