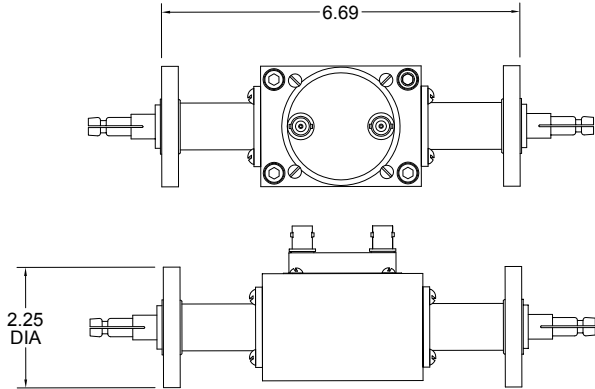


UHF Directional Couplers

Installed between the transmitter and the antenna, a directional coupler provides the broadcaster with a convenient method of monitoring the transmitter's forward and reflected power.

MFC directional couplers are available with a variety of connector options. Simply choose the model best suited for your application.

Model 16901



Specifications:

Passband.....	470-806 MHz
Coupling.....	50 dB \pm 3.0 dB
Mainline Insertion Loss.....	0.5 dB (Max)
Mainline VSWR.....	1:25:1 (Max)
Power Rating.....	1600 Watts (Max)
Directivity.....	20 dB (Min. 25 dB TYP)
Impedance.....	50 Ohms
Input/Output Connectors.....	7/8" EIA Flange
Operating Temperature Range.....	0°C to +50°C

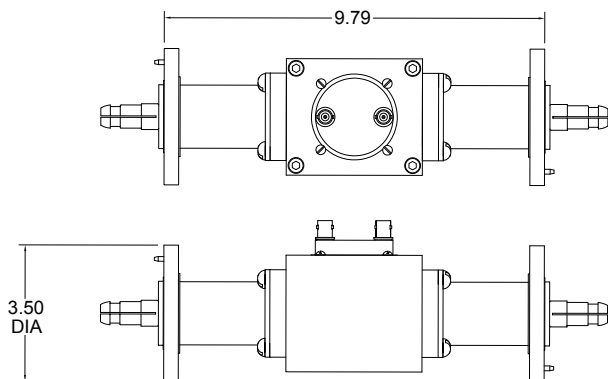
Ordering Information: 16901-(*)

(*) Coupled Port Connectors

Coupled Port Connectors	(*)
BNC Female 75 Ohms	B75
BNC Female 50 Ohms	B50
SMA Female	S
N Female	N

Example: Directional coupler with (75 Ohm) BNC-female (coupled port) connectors = Model 16901-B75

Model 16902



Specifications:

Passband.....	470-806 MHz
Coupling.....	50 dB \pm 3.0 dB
Mainline Insertion Loss.....	0.5 dB (Max)
Mainline VSWR.....	1:25:1 (Max)
Power Rating.....	1600 Watts (Max)
Directivity.....	20 dB (Min. 25 dB TYP)
Impedance.....	50 Ohms
Input/Output Connectors.....	1 5/8" EIA Flange
Operating Temperature Range.....	0°C to +50°C

Ordering Information: 16902-(*)

(*) Coupled Port Connectors

Coupled Port Connectors	(*)
BNC Female 75 Ohms	B75
BNC Female 50 Ohms	B50
SMA Female	S
N Female	N

Example: Directional coupler with SMA-female (coupled port) connectors = Model 16902-S



MICROWAVE FILTER COMPANY, INC.

6743 Kinne Street, East Syracuse, NY 13057 • Toll Free: 800-448-1666 or 888-206-6610

www.microwavefilter.com • email: mfcsales@microwavefilter.com • International: 315-438-4700