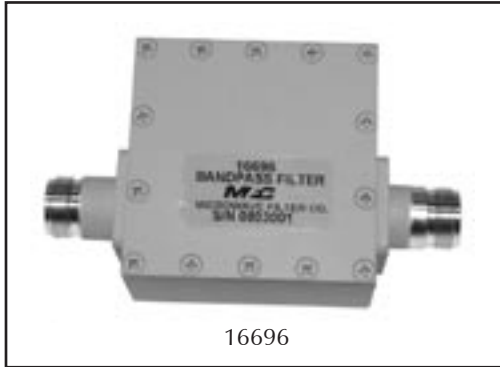


ISM (5.8 GHz) Full Band Bandpass Filter

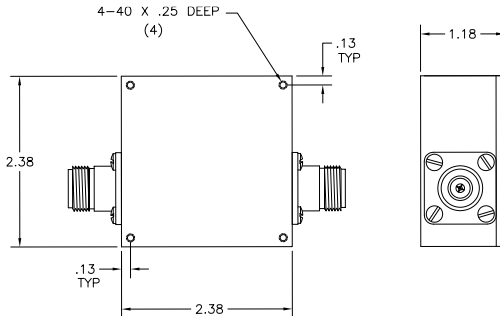


Model 16696

This compact bandpass filter isolates the full ISM (5.8 GHz) band from other transmission sources above and below the band, and is ideal for high data rate applications.

Specifications:

Passband: 5725-5875 MHz
Passband Loss:..... 0.5 dB (Max)
Rejection:..... 10 dB (Typ) @ 5610 MHz
 10 dB (Min) @ 6000 MHz
Power Rating: 50 Watts (CW)
Impedance: 50 Ohms
Connectors:..... N-Female
Dimensions: 2.3"x2.3"x1.1" (Approx.)



MICROWAVE FILTER COMPANY, INC.

6743 Kinne Street, East Syracuse, NY 13057 • Toll Free: 800-448-1666 or 888-206-6610
www.microwavefilter.com • email: mfcsales@microwavefilter.com • International: 315-438-4700