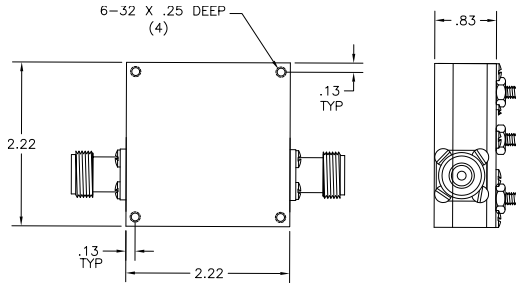


ISM (2.4 GHz) Single Channel Bandpass Filters

MFC offers a variety of single channel bandpass filters for use in Wi-Fi networks operating within the (2.4-2.5) GHz ISM band.



16692

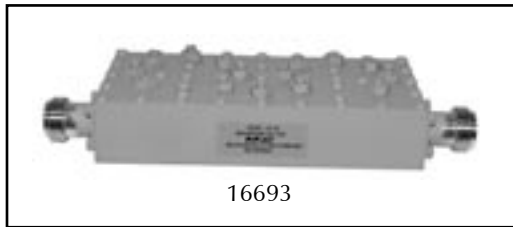


Model 16692 Single Channel Bandpass Filter

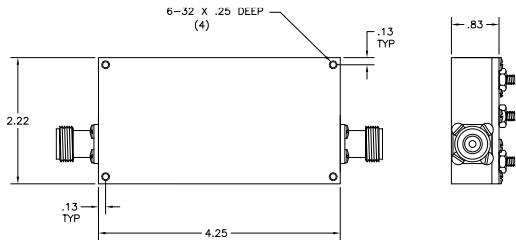
This compact bandpass filter isolates the desired channel from co-located, non-overlapping channels and other transmission sources.

Specifications:

Channel Option: 1, 3, 6, 9, 11
Channel Bandwidth: 22 MHz
Channel Insertion Loss: 2 dB (Typ)
Channel Return Loss: 15 MHz (Min)
Bandwidth (3dB): 30 MHz
Rejection (20 dB Typ): ±25 MHz from channel center
Impedance: 50 Ohms
Power Rating 50 Watts (CW)
Connectors: N-Female
Operating Temperature Range: -40°C to +85°C
Dimensions: 2.2"x2.2"x0.8" (Approx.)



16693



Model 16693 Single Channel (Ultra-Selective) Bandpass Filter

This bandpass filter utilizes additional poles to isolate the desired channel from co-located, overlapping channels in addition to other transmission sources.

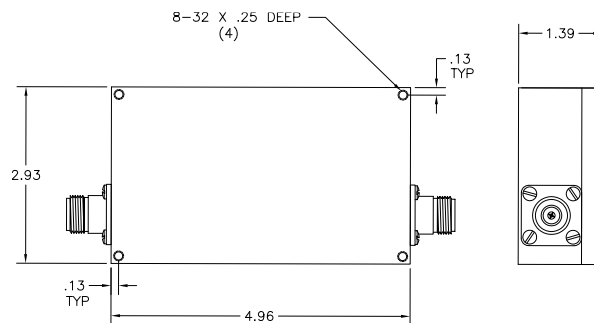
Specifications:

Channel Option: 1, 3, 6, 9, 11
Channel Bandwidth: 22 MHz
Channel Insertion Loss: 3 dB (Typ)
Channel Return Loss: 15 dB (Min)
Rejection (20 dB Typ): ±15 MHz from channel center
Impedance: 50 Ohms
Power Rating: 50 Watts (CW)
Connectors: N-Female
Operating Temperature Range: -40°C to +85°C
Dimensions: 4.3"x2.2"x0.8" (Approx.)



16694

... and for those unenclosed, outdoor applications we also offer a weatherized version, **Model 16694**, with the same electrical performance as the model 16693 filter.



MICROWAVE FILTER COMPANY, INC.

6743 Kinne Street, East Syracuse, NY 13057 • Toll Free: 800-448-1666 or 888-206-6610

www.microwavefilter.com • email: mfcsales@microwavefilter.com • International: 315-438-4700