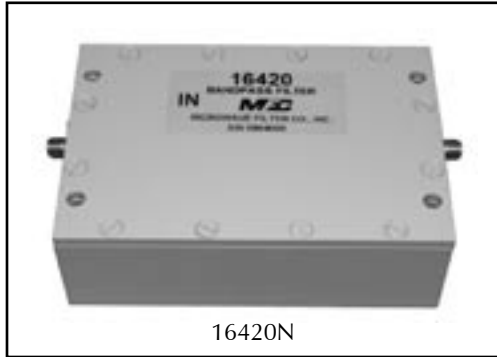
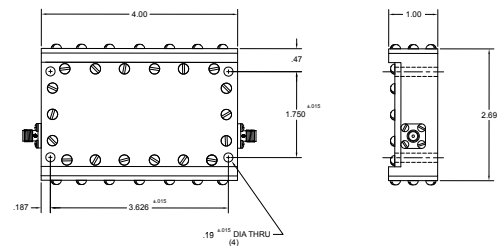


ISM (2.4 GHz) Full Band Bandpass Filters

MFC offers a selection of full band bandpass filters for wireless broadband applications in the ISM (2.4-2.5GHz) band.



16420N



Model 16420N Full Band (Ultra-Low Loss) Bandpass Filter

This filter isolates the full ISM Band by providing deep suppression of other transmission sources (GPS, BAS, BRS, EBS) and it's extremely low-loss assures smooth operation with minimal signal degradation.

Specifications:

Center Frequency (Fo): 2448 MHz
Insertion Loss @ Fo: 0.5 dB (Typ)
Ripple: 0.25 dB (Max)
Relative 0.5 dB Bandwidth: 100 MHz (Min)
Power: 50 Watts (Max)
Rejection: 80 dB (Min) @ 2000 MHz 60 dB (Min) @ 2700 MHz
Impedance: 50 Ohms
Connectors: N-Female
Operating Temperature Range:	.. -40°C to +85°C
Weatherized	



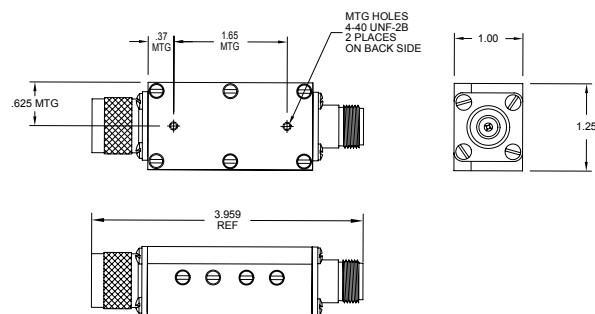
13944

Model 13944 Full Band (Economic) Bandpass Filter

This model bandpass filter provides full band isolation from other transmission sources in an economical and compact design.

Specifications:

Center Frequency (Fo): 2442 MHz
Insertion Loss @ Fo: 1.5 dB (Max)
Relative 3 dB Bandwidth: 100 MHz (Min)
Rejection: 40 dB (Typ) @ 2242 MHz 40 dB (Typ) @ 2642 MHz
Impedance: 50 Ohms
Connectors: N-Female
Operating Temperature Range:	.. -30°C to +50°C



MICROWAVE FILTER COMPANY, INC.

6743 Kinne Street, East Syracuse, NY 13057 • Toll Free: 800-448-1666 or 888-206-6610

www.microwavefilter.com • email: mfcsales@microwavefilter.com • International: 315-438-4700