

# BRS-EBS (MMDS) Accessories



Model 6915-2

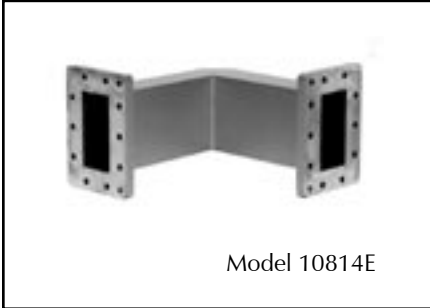
## Model 6915 & 11047 3 dB Quadrature Hybrid

Splits input power with a 90 degree phase shift between the two equal outputs for power combining and special antenna configurations. *Ideal for use when combining adjacent digital channels to one antenna.*

### Specifications

Model	Freq.(MHz)	Conn.	Outputs	Return Loss	Loss*	Power Rating
6915-1	2050-2400	N(Female)	3dB ± 0.5dB	21dB (Min)	0.5dB (Max)	400W (Max)
6915-2	2500-2700	N(Female)	3dB ± 0.5dB	21dB (Min)	0.5dB (Max)	400W (Max)
11047-1	2050-2400	7/8" EIA	3dB ± 0.5dB	19dB (Min)	0.5dB (Max)	1800W (Max)
11047-2	2500-2700	7/8" EIA	3dB ± 0.5dB	19dB (Min)	0.5dB (Max)	1800W (Max)

\*Net of 3 dB split loss



Model 10814E

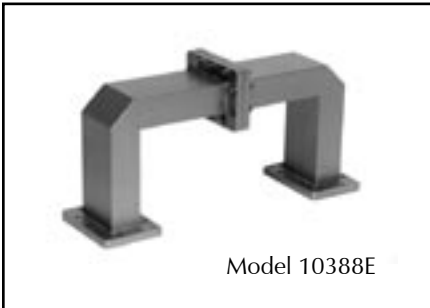
### E & H Bends

- 10814E..... WR340, Aluminum, 90° E-Plane
- 10814H..... WR340, Aluminum, 90° H-Plane
- 11814E..... WR340, Copper, 90° E-Plane
- 11814H..... WR340, Copper, 90° H-Plane

### U Bends

- 10388E..... WR340, Aluminum, E-Plane
- 10388H..... WR340, Aluminum, H-Plane
- 11388E..... WR340, Copper, E-Plane
- 11388H..... WR340, Copper, H-Plane

The Bend's length varies based on customer's specifications.



Model 10388E

**Accessories are custom built to customer specifications.**

**Contact the company for a quotation on any other custom accessories.**



**MICROWAVE FILTER COMPANY, INC.**

6743 Kinne Street, East Syracuse, NY 13057 • Toll Free: 800-448-1666 or 888-206-6610

www.microwavefilter.com • email: mfcsales@microwavefilter.com • International: 315-438-4700

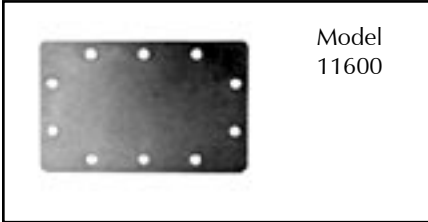
# BRS-EBS (MMDS) Accessories



Model 4662

## Model 4662 Low VSWR Terminations

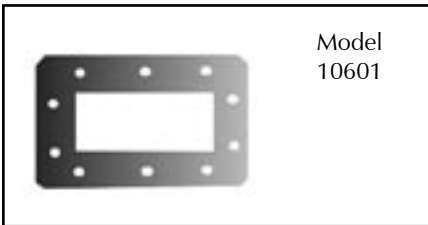
Model	Connector	Impedance	Frequency (MHz)	Return Loss	Power Rating
4662-01	N(male)	50 Ohm	0-1,000 1,000-2,900	32 dB (Min) 21 dB (Min)	1W (Max)
4662-10	N(male)	50 Ohm	0-1,000 1,000-2,900	32 dB (Min) 21 dB (Min)	10W (Max)
4662-25	N(male)	50 Ohm	0-1,000 1,000-2,900	32 dB (Min) 21 dB (Min)	25W (Max)



Model 11600

## Model 10600 & 11600 Termination End Plate

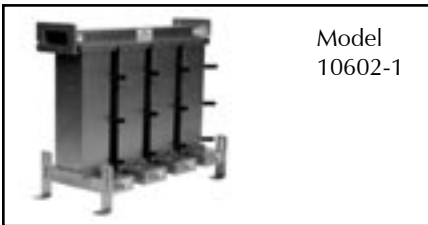
Used to block off the one side of the broadband waveguide. Complete with hardware. Model 10600 is made of aluminum and 11600 is made of copper.



Model 10601

## Model 10601 Spacer

This spacer mates to UG-1712/U WR340 flange and provides a non-galvanic transition from copper/brass flanges to aluminum flanges.



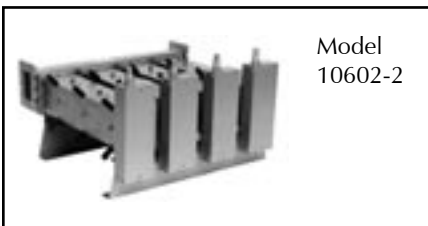
Model 10602-1

## Model 10602 Mounting Bracket Kit

All combiners shipped include mounting brackets and hardware. Please designate preference on all combiner orders. Additional kits may be ordered separately.

10602-1 A pair of mounting plates for "upright" combiner mounting.

10602-2 Optional mounting kit for low ceiling clearance and easy access.



Model 10602-2



**MICROWAVE FILTER COMPANY, INC.**

6743 Kinne Street, East Syracuse, NY 13057 • Toll Free: 800-448-1666 or 888-206-6610  
www.microwavefilter.com • email: mfcsales@microwavefilter.com • International: 315-438-4700