

BAS Bandpass Filters (for 2 GHz Relocation)



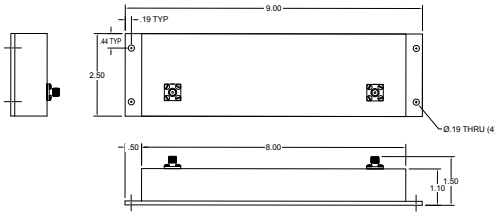
Full Band BAS Bandpass Filter

This bandpass filter is ideal for isolating the entire BAS band - operating on channels A1-A7 (2025-2110 MHz) - from other surrounding communication services, such as the PCS and BRS-EBS bands.

The model 15956 offers low insertion loss and is suitable for indoor or outdoor use.

15956 Specifications:

	15956
Passband:	2025 MHz - 2110 MHz
Passband Loss:	2 dB (Max)
Rejection:	45 dB TYP. @ 1995 MHz
Impedance:	50 Ohms
Connectors:	SMA (Female)
Operating Temperature:	-20° to +60°C
Weatherized for outdoor use	



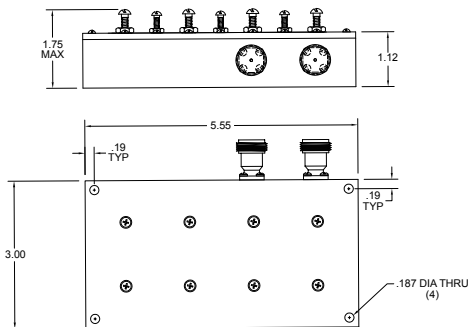
Single Channel BAS Bandpass Filter

This single channel bandpass filter is designed for use by the Broadcast Auxiliary Services operating in the relocated 2 GHz band.

The 15850-(CH) offers low loss on the desired channel and it's ultra-sharp selectivity not only eliminates potential interference from out-of-band sources such as PCS & WiFi, but also provides superior isolation from all other BAS channels, which is key in any area where other broadcasters operate.

15850 Specifications:

	15850 - (CH)
BAS Channel Option :	(CH. 1-7)
Center band (Fo) Insertion Loss :	2 dB (Typical)
Relative (1 dB) Bandwidth :	12 MHz [Min.] (Fo ± 6 MHz)
30 dB Rejection :	Fo ± 10 MHz (Typical)
40 dB Rejection :	Fo ± 12 MHz (Typical)
Size :	5.5" x 3.0" x 1.75" [Approx.]
Connectors :	N-female or SMA-female (other connectors available upon request)
Indoor Use	



** See page 36 for BAS Channels Allocation **



MICROWAVE FILTER COMPANY, INC.

6743 Kinne Street, East Syracuse, NY 13057 • Toll Free: 800-448-1666 or 888-206-6610

www.microwavefilter.com • email: mfcsales@microwavefilter.com • International: 315-438-4700