



# ESMR/Public Safety Band (800 MHz) Filter

## Model 18704

This bandstop filter isolates 800 MHz band operations from various undesired 700 MHz (**upper**) band operations.

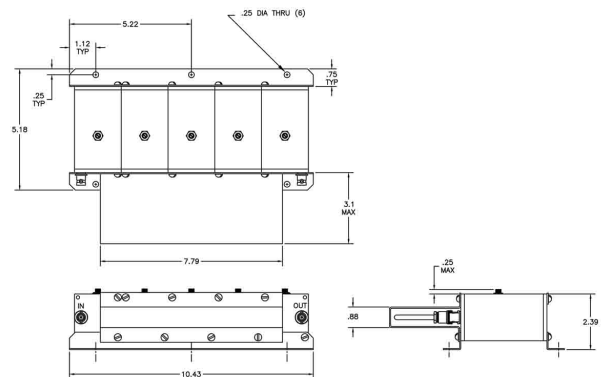
Ideal for Mobile Radio applications  
(e.g. – Law Enforcement Vehicles).

### Features:

- Temperature Stable Design
- Ruggedized Construction

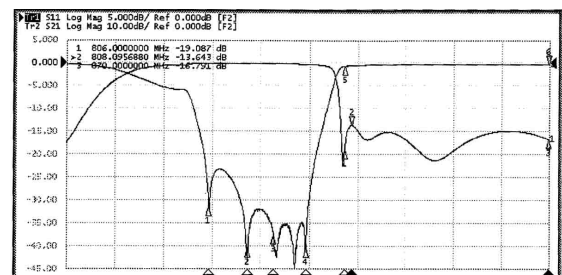
### Applications:

- Suppress Band 13 Uplink (700 MHz Band)
- Suppress Lower Public Safety Band (700 MHz Band)



### Specifications:

Passband:	806 - 870 MHz
Passband Loss:	1.0 dB Typ
VSWR:	1.5:1 Typ
Power Rating (CW):	40 Watts Max
Rejection:	45 dB Min from (763 - 777) MHz 60 dB Min from (777 - 787) MHz 70 dB Min from (787 - 794) MHz
Impedance:	50 ohms
Connectors:	BNC - female
Operating Temp. Range:	-20°C to +50°C
Dimensions:	10.43" x 5.18" x 2.39" (26.5 mm x 13.2 mm x 6.1 mm)



**MICROWAVE FILTER CO., INC.**  
6743 KINNE STREET, E. SYRACUSE, NY 13057  
E-Mail: [mfcsales@microwavefilter.com](mailto:mfcsales@microwavefilter.com)

800-448-1666 • 315-438-4700  
Web: [www.microwavefilter.com](http://www.microwavefilter.com)