



# Multi-Purpose C-Band Receive Filter Assembly

## Model 17748 Series

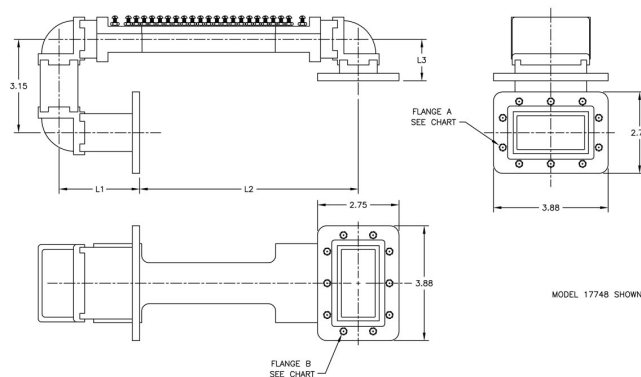
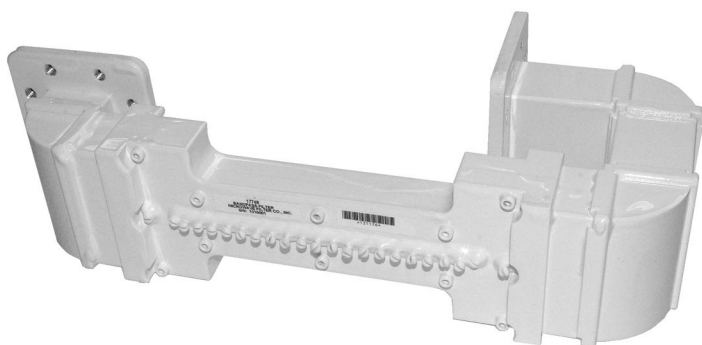
These versatile filters not only reject the C-band transmit band (5.825-6.725 GHz), they also reject transmissions from other potential sources of interference, that standard TRFs do not.

Ideal for use at high-density receive sites, the model 17748 series of filters provide excellent rejection of these other bands:

- Maritime Radionavigation ..... 3 - 3.1 GHz
- Wireless Services (Point-Multipoint) ..... 4.55 - 4.9 GHz
- X-band ..... 7.25 - 8.4 GHz
- Maritime & Aeronautical Radionavigation ..... 8.5 - 10.68 GHz

### Specifications:

Passband:	3.4 - 4.2 GHz
Passband Loss:	0.45 dB Typ; 0.55 dB Max
Passband VSWR:	1.33:1 Max
Rejection:	50 dB Min from 2.0 - 3.25 GHz 50 dB Min from 4.45 - 5.0 GHz 80 dB Min from 5.25 - 10.68 GHz
Flanges:	CPR229G
Dimensions:	See Drawing and Chart
Finish:	Gloss White Lacquer



Flange Configurations Chart

Model	Flange A Holes (10)	Flange A Holes (10)	L1	L2	L3
17748	1/4-20 Thrd Thru	1/4-20 Thrd Thru	2.72	7.38	1.40
17748-2	.281 Dia Thru	.281 Dia Thru	2.72	7.38	1.40
17748-3	.257 Dia Thru	1/4-20 Thrd Thru	3.22	6.62	1.63

**MICROWAVE FILTER CO., INC.**  
 6743 KINNE STREET, E. SYRACUSE, NY 13057  
 E-Mail: [mfcsales@microwavefilter.com](mailto:mfcsales@microwavefilter.com)

800-448-1666 • 315-438-4700  
 Web: [www.microwavefilter.com](http://www.microwavefilter.com)