



Ku-Band Lowpass Filter

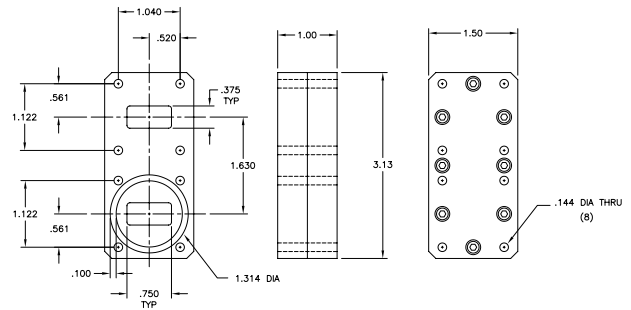
Model 16638

This specially-configured, transmit reject filter is ideal for applications requiring "same plane" installation of the LNB and feedhorn. Other custom configurations are available upon request.



Specifications:

Passband:	10.95 - 12.75 GHz
Insertion Loss:	0.2 dB Max
VSWR:	1.5:1
Rejection:	-45 dB Min at 14.0 - 14.50 GHz
Flanges:	WR75 Cover WR75 Grooved
Weight:	0.14 lbs (0.06 Kg)
Dimensions:	3.13" x 1.5" x 1.0" (79mm x 38mm x 25mm)
Finish:	Chem Film, AMS-C-5541, Class 3



MICROWAVE FILTER CO., INC.
6743 KINNE STREET, E. SYRACUSE, NY 13057
E-Mail: mfcsales@microwavefilter.com

800-448-1666 • 315-438-4700
Web: www.microwavefilter.com