

Single Channel CCTV Network

Deletes A Channel for Inserting New Programming

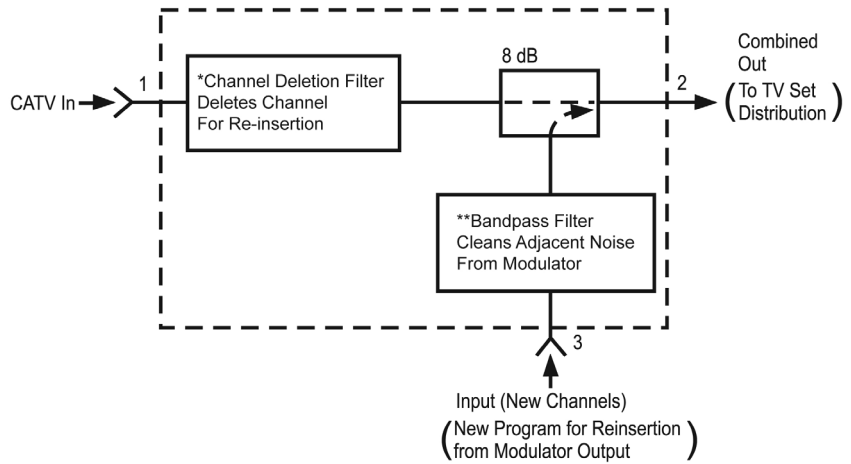


*See pages 6 & 7 for channel deletion filter specifications (including upper passband limits)

**See page 16 for bandpass filter specifications

CCTV Channel Series

The CCTV coupler allows channel reuse for new entertainment, instruction or security. A channel deletion filter deletes the old information. Your in-house modulator inserts new information through a sharp bandpass filter to prevent disturbance to adjacent channels. CCTV-(Channel) is available for any channel 2-116.



Channel #	(1-2) Insertion Loss (Typical)	Adj Carrier (1-2) Insertion Loss (Typical)	Inserted Channel (3-2) Insertion Loss (Typical)
2 to 6	1.5 dB	5.5 dB	12.5 dB
98, 99, 14 to 22	1.5 dB	4.5 dB	13.5 dB
7 to 13	1.5 dB	4.5 dB	15 dB
23 to 36	1.5 dB	5.5 dB	14.5 dB
37 to 61	1.5 dB	6.5 dB	14.5 dB
62 to 116	1.5 dB	7.5 dB	14.5 dB

Mechanical Specifications

Dimensions: 19" L x 3.5" H x 13" D

Connectors: 75 ohm - Type "F"

Note: In many cases these filter assemblies can be installed in 1 or 2 (RU) rack chassis configurations.

Ordering Information:

CCTV-(Channel)