

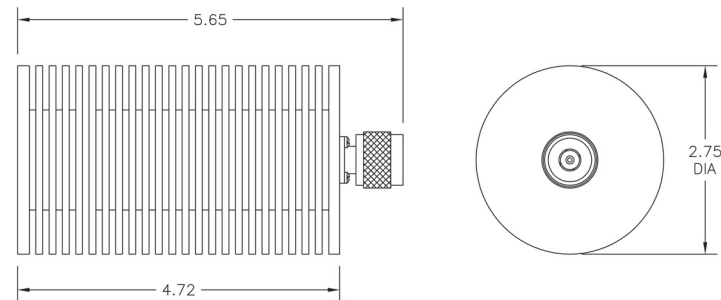
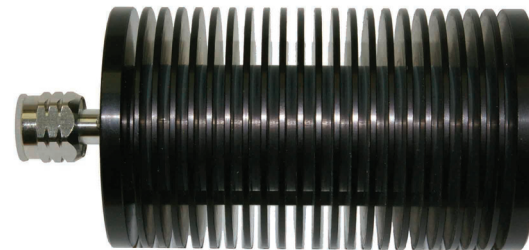


# **100W Termination**

## **TN-0030-100NM**

### **Specifications:**

Frequency Range:	DC-3 GHz
VSWR:	1.2:1 Max
Power:	100 Watts Avg
Impedance:	50 Ohms
Connector:	N male
Operating Temp.Range:	-20°C to +85°C



**MICROWAVE FILTER CO., INC.**  
6743 KINNE STREET, E. SYRACUSE, NY 13057  
E-Mail: [mfcsales@microwavefilter.com](mailto:mfcsales@microwavefilter.com)

800-448-1666 • 315-438-4700  
Web: [www.microwavefilter.com](http://www.microwavefilter.com)