

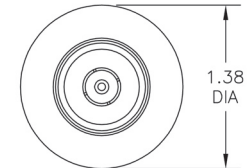
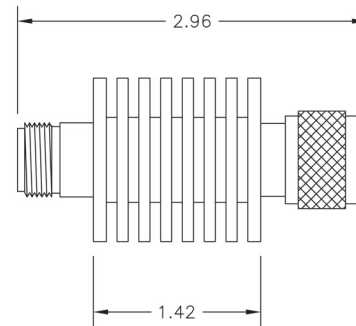
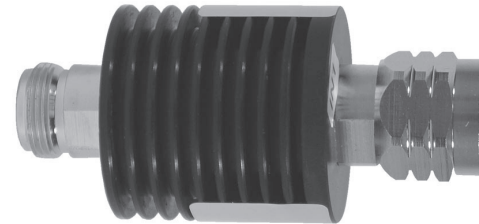


## **20 dB/10W Attenuator**

**AR-0030-010-20NF**

### **Specifications:**

Frequency Range:	DC-3 GHz
VSWR:	1.20:1 Max
Power:	10 Watts Avg
Attenuation:	20 dB, $\pm 1.0$ dB
Impedance:	50 Ohms
Connectors:	N female, N male
Operating Temp. Range:	-20°C to +85°C



**MICROWAVE FILTER CO., INC.**  
6743 KINNE STREET, E. SYRACUSE, NY 13057  
E-Mail: [mfcsales@microwavefilter.com](mailto:mfcsales@microwavefilter.com)

800-448-1666 • 315-438-4700  
Web: [www.microwavefilter.com](http://www.microwavefilter.com)