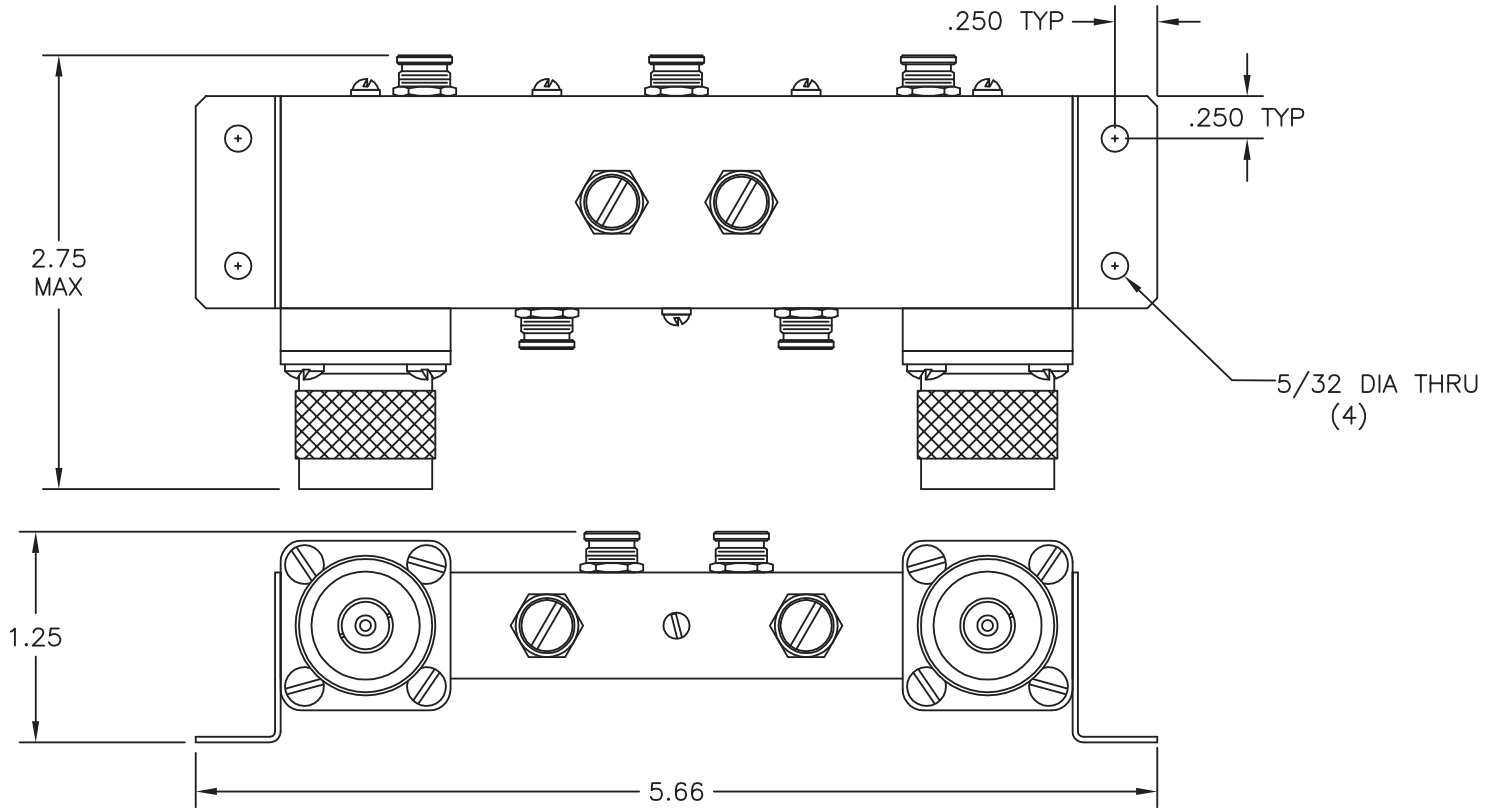


THIS DRAWING IS A SOURCE CONTROL DRAWING AND IS PROPRIETARY TO MICROWAVE FILTER CO., INC. AND
MAY NOT BE DUPLICATED OR DISTRIBUTED WITHOUT WRITTEN PERMISSION OF MICROWAVE FILTER CO., INC.
THIS DRAWING ALSO DESCRIBES TRADE SECRETS AND IS THE EXCLUSIVE PROPERTY OF MICROWAVE FILTER CO., INC

| REVISION | | | |
|----------|-----|------|--------|
| LTR | ECN | DATE | APPR'D |
| | | | |



SPECIFICATIONS:

PASSBAND: 2492–2540 MHz
PASSBAND LOSS: 1.0 dB TYP, 2.0 dB MAX.
PASSBAND POWER (CW): 5 WATTS MAX
REJECTION: 60 dB TYP @ 2400 MHz
40 dB TYP @ 2440 MHz
40 dB TYP @ 2590 MHz
IMPEDANCE: 50 OHMS
CONNECTORS: TYPE N MALE
WEATHERIZED FOR OUTDOOR USE

UNLESS SPECIFIED
ALL TOLERANCES ±.03

ENVELOPE DRAWING

| | | | |
|---|--|----------------------|----------|
| MFC MICROWAVE FILTER CO. INC. 5743 KONNE ST. E. SYRACUSE, N.Y. 13057 | | FSCM27834 | |
| DATE 9/10/13 | | TITLE | |
| DWN BY M.W. | | FILTER, BANDPASS | |
| ENGINEER J. SHAW | | DRAWING NO. 18768 | REV — |