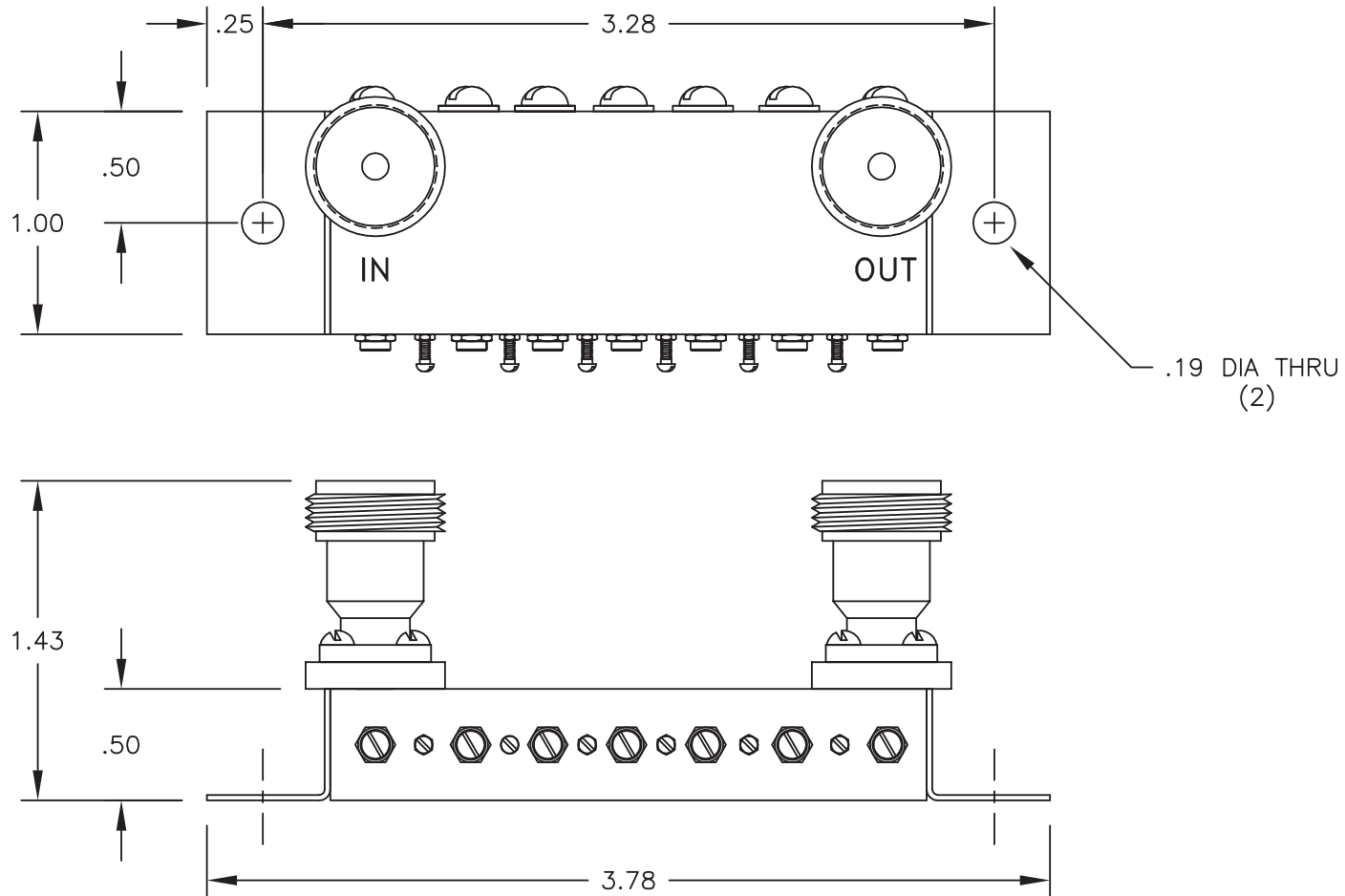


THIS DRAWING IS A SOURCE CONTROL DRAWING AND IS PROPRIETARY TO MICROWAVE FILTER CO., INC. AND  
MAY NOT BE DUPLICATED OR DISTRIBUTED WITHOUT WRITTEN PERMISSION OF MICROWAVE FILTER CO., INC.  
THIS DRAWING ALSO DESCRIBES TRADE SECRETS AND IS THE EXCLUSIVE PROPERTY OF MICROWAVE FILTER CO., INC

REVISION			
LTR	ECN	DATE	APPR'D



SPECIFICATIONS

PASSBAND: 2490–2710 MHz  
PASSBAND LOSS: 1 dB TYP, 2.0 dB MAX  
PASSBAND VSWR: 1.5:1 MAX  
REJECTION: 40 dB TYP @ 2400 MHz  
40 dB TYP @ 2780 MHz  
IMPEDANCE: 50 OHMS  
CONNECTORS: N–FEMALE

ALL TOLERANCES  
UNLESS SPECIFIED  $\pm$ .030

ENVELOPE DRAWING

<b>MFC</b> MICROWAVE FILTER CO. INC. 6743 KONNE ST. E. SYRACUSE, N.Y. 13057		FSCM27834
DATE 9/10/13	TITLE	
DWN BY MW	FILTER, BANDPASS	
ENGINEER K.G.	DRAWING NO. 18767	REV —