

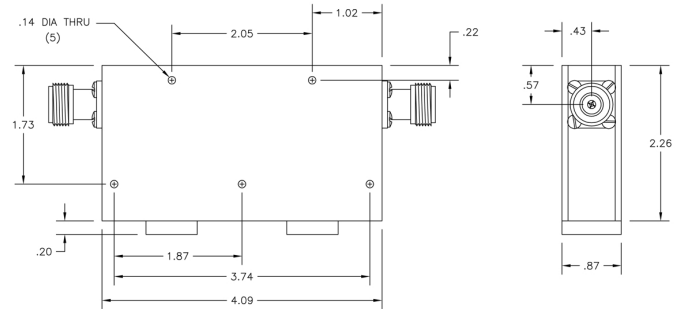


Isolator/Circulator

IS-4547-100NF/NF

Specifications:

Frequency Range:	455-465 MHz
Insertion Loss:	0.70 dB Max
Isolation:	40 dB Min
VSWR:	1.20:1 Max
Average Power:	100 Watts Max
Reflection Power:	100 Watts Max
Impedance:	50 Ohms
Connectors:	N female, N female
Operating Temp. Range:	-20°C to +70°C



MICROWAVE FILTER CO., INC.
6743 KINNE STREET, E. SYRACUSE, NY 13057
E-Mail: mfcsales@microwavefilter.com

800-448-1666 • 315-438-4700
Web: www.microwavefilter.com