



X-Band Receive Reject Filter

Model 19171

By utilizing hybrid design techniques, the model 19171 transmit band filter is able to achieve extremely low through loss with deep receive band rejection.

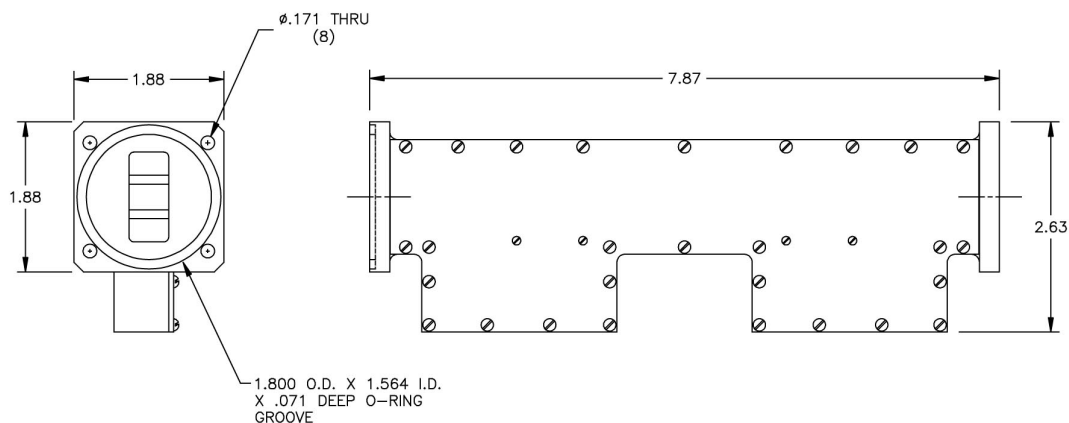


Specifications:

Passband:	7.9 - 8.4 GHz
Passband Loss:	0.3 dB Typ
Passband Return Loss:	20 dB Typ
Passband Power (CW):	200 Watts Max
Rejection:	90 dB Min from 7.25 - 7.75 GHz
Flanges:	See chart
Operating Temp. Range:	-10°C to +65°C
Weight:	0.70 lbs (0.32 Kg)
Dimensions:	7.87" x 1.88" x 2.63" (200mm x 48mm x 67mm)
Finish:	Flat Black Lacquer

Flange Configurations

Model #	Input	Output
19171	WR112 Cover	WR112 Cover
19171-1	WR112 Grooved	WR112 Cover
19171-2	CPR112 Flat	CPR112 Grooved



MICROWAVE FILTER CO., INC.
 6743 KINNE STREET, E. SYRACUSE, NY 13057
 E-Mail: mfcsales@microwavefilter.com

800-448-1666 • 315-438-4700
 Web: www.microwavefilter.com