



Ku (Universal) Band Transmit Reject Filter

Model 18255

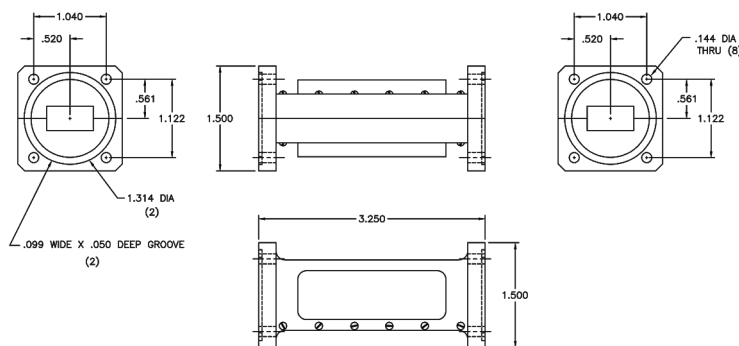
Designed for full (**universal**) Ku-band operation, this TRF provides **deep rejection** of the transmit band with minimal effect on the receive band.

- *Ideal for High Power VSAT Applications-World Wide*
- *Alternate Flange Configurations are Available Upon Request*



Specifications:

Passband:	10.70 - 12.75 GHz (Ku-Universal <i>Receive Band</i>)
Insertion Loss:	0.1 dB Typ
VSWR:	1.20:1 Max
Reject Band:	13.75 - 14.5 GHz (Ku-Universal <i>Transmit Band</i>)
Rejection:	100 dB Typ; 90 dB Min
Flanges:	See Chart
Dimensions:	3.25" x 1.5" x 1.5" (82mm x 38mm x 38mm)
Finish:	Gloss White Lacquer



Flange Configurations

Model	Input Flange	Output Flange
18255	WR75 Grooved	WR75 Grooved
18255-G/F	WR75 Grooved	WR75 Flat
18255-F/F	WR75 Flat	WR75 Flat

MICROWAVE FILTER CO., INC.
6743 KINNE STREET, E. SYRACUSE, NY 13057
E-Mail: mfcsales@microwavefilter.com

800-448-1666 • 315-438-4700
Web: www.microwavefilter.com